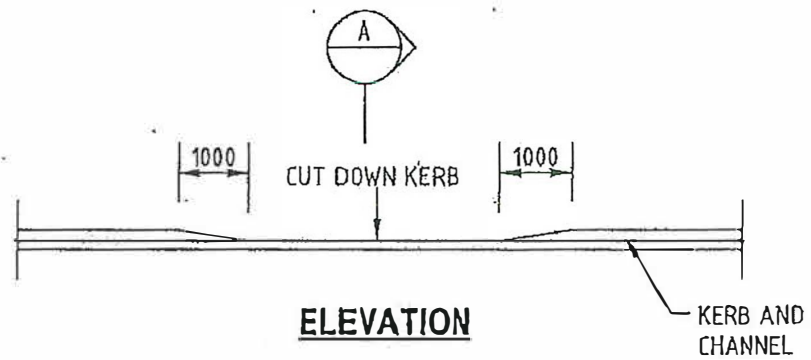
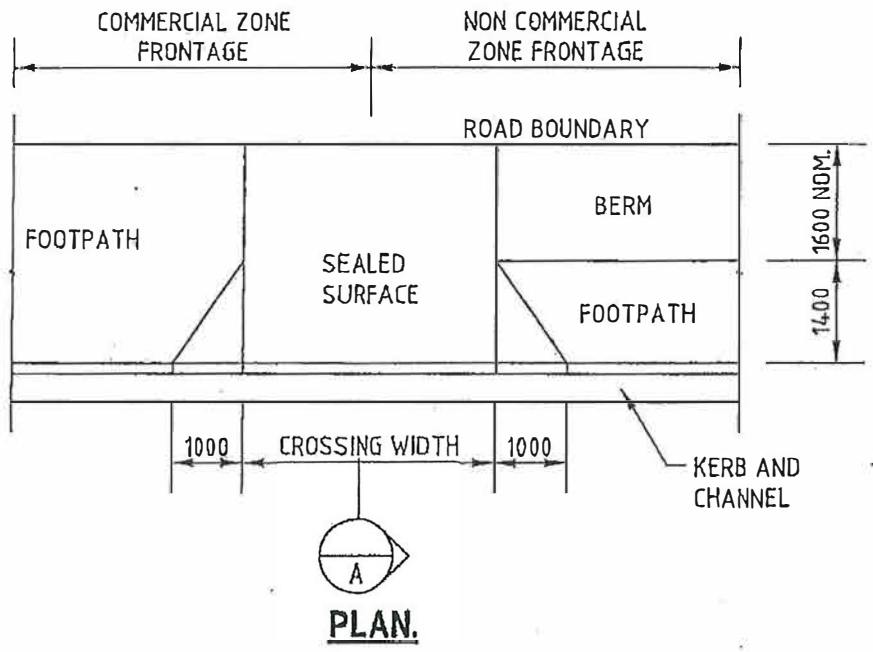


SECTION



ELEVATION



PLAN.

**DIAGRAM A
INFORMATION**

- NOTE:**
1. CROSSING TREATMENT FOR ACCESSES WITHIN RESIDENTIAL AND BUSINESS ZONES WHERE KERB AND CHANNEL EXIST.
 2. SEE RULE 13.12.7(c) FOR FOOTPATH REQUIREMENTS.



Connell Wagner
 Connell Wagner Limited
 Level 4, Torrens House 195 Hereford St
 (P.O. Box 1061) Christchurch New Zealand
 Telephone: +64 3 366 0821
 Facsimile: +64 3 379 8955
 Email: cwcho@connwag.com

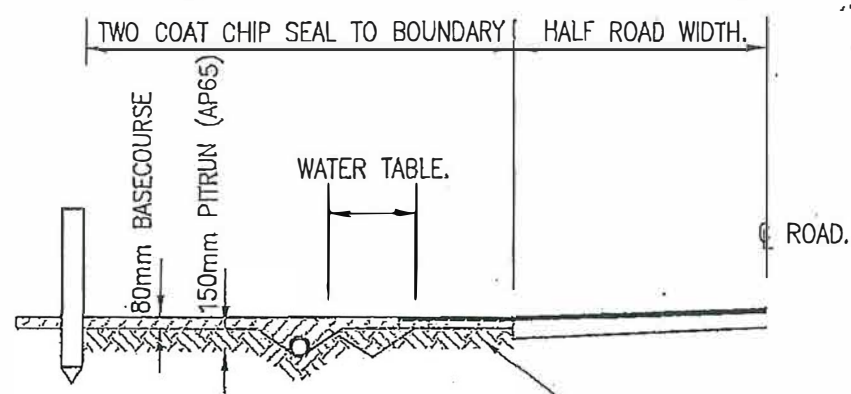
Project: **KAIKŌURA DISTRICT COUNCIL**
 Drawing Title: **STANDARD URBAN ACCESS
TYPICAL
LIGHT VEHICLE ACCESS**

No.	Date	Revision Details	By
A	06-09-04	FOR INFORMATION	JRD
Drawn	JRD	Date	06-09-04
Designed	JRD	Scale	NTS
Verified	MDF		
Approved	MDF		
CW Project No.	17143-01	Drawing No.	9 A

A person using Connell Wagner drawings and other data accepts the risk of using the drawings and other data in their form without requesting and checking them for accuracy against the original hard copy version.
 2. using the drawings or other data for any purpose not agreed to in writing by Connell Wagner.



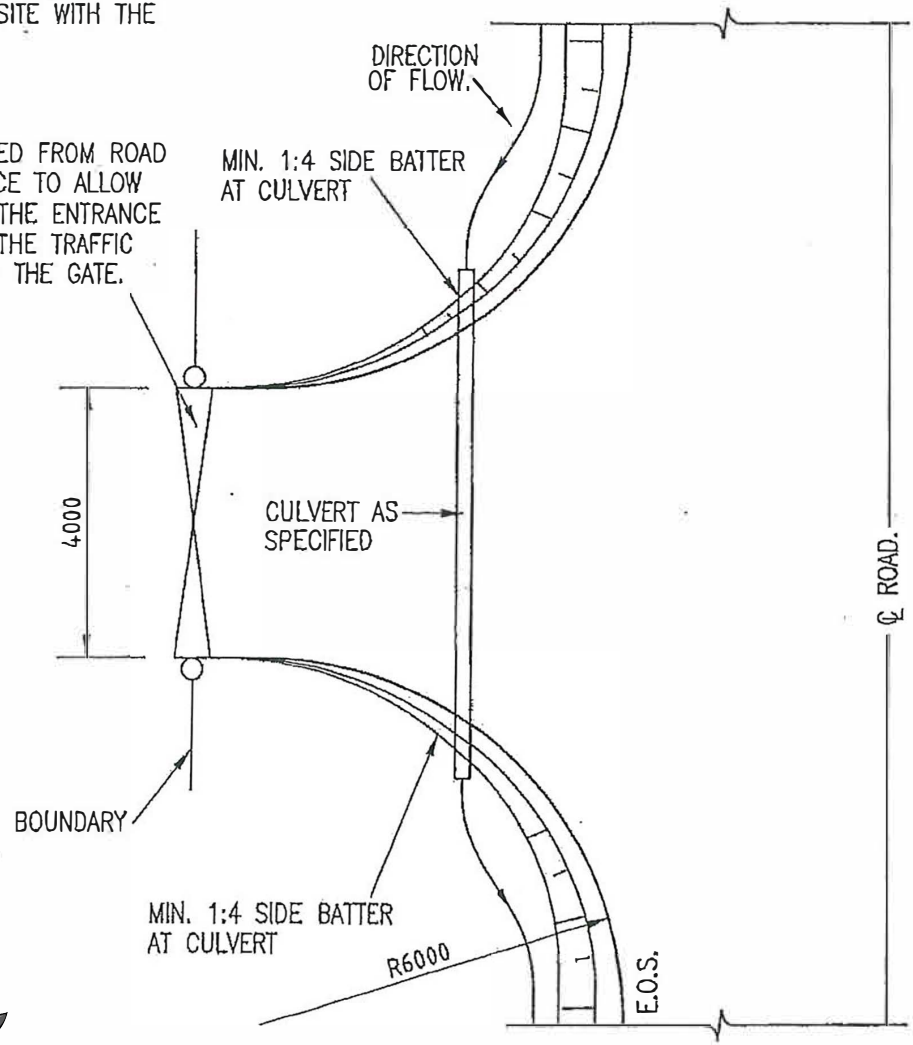
A4



TYPICAL SECTION.

NOTE:
WHERE CULVERT PIPES ARE NOT REQUIRED, FORM A DEPRESSION TO PROVIDE DRAINAGE AS DISCUSSED ON SITE WITH THE ENGINEER.

GATE TO BE RECESSED FROM ROAD A SUFFICIENT DISTANCE TO ALLOW ANY VEHICLE USING THE ENTRANCE TO STOP CLEAR OF THE TRAFFIC LANE WHILE OPENING THE GATE.



PLAN.

DIAGRAM B INFORMATION



KAIKŌURA DISTRICT COUNCIL

Connell Wagner

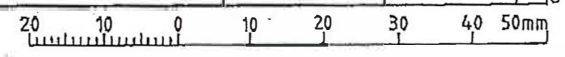
Connell Wagner Limited
Level 4, Torrens House 185 Hereford St.
(P.O. Box 1061) Christchurch New Zealand
Telephones: +84 3 366 0821
Facsimile: +84 3 370 6955
Email: cwchc@connwag.com

A person using Connell Wagner drawings and other data accepts the risk of:
1. using the drawings and other data in electronic form without requesting and checking them for accuracy against the original hard copy version;
2. using the drawings or other data for any purpose not agreed in writing by Connell Wagner.

Project: **KAIKOURA DISTRICT COUNCIL**

Drawing Title: **STANDARD RURAL ACCESS
TYPICAL
LIGHT VEHICLE ACCESS**

No.	Date	Revision Details	By
B	28-09-04	TEXT ADDED	PJK
A	04-09-04	FOR INFORMATION	JRD
Drawn	JRD	Date	06-09-04
Designed	JRD	Scale	NTS
Verified	MOF		
Approved	MOF		
Ch Project No.	17143-01	Drawing No.	7 B



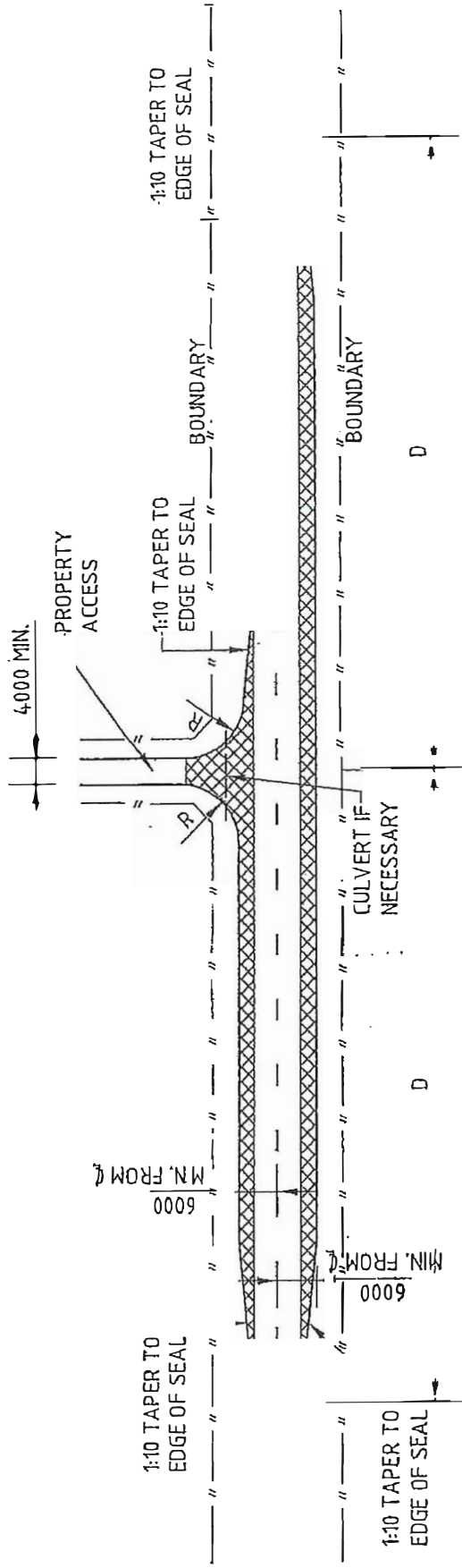
14

POSTED LIMIT (km/h)	LENGTH OF SEAL 'D' (m)
70	70
80	75
100	90

BELLMOUTH RADI
 R = 9.0m LIGHT VEHICLE USE (EG. ROAD SIDE STALL)
 R = 15.0m HEAVY VEHICLE USE (EG. TOURIST ATTRACTION AND HEAVY VEHICLE LAND USE)



Connell Wagner
 Connell Wagner Limited
 Level 4, Thomas House 195 Hereford St
 (P.O. Box 1061) Christchurch New Zealand
 Telephone: +64 3 366 0821
 Facsimile: +64 3 379 6955
 Email: cw@connellwagner.com



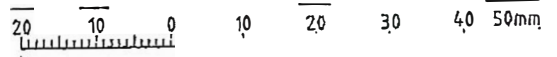
AREA TO BE CONSTRUCTED AND SEALED

NOTE:
 GATE TO BE RECESSED BACK FROM HIGHWAY SUFFICIENT DISTANCE TO ALLOW ANY VEHICLE USING THE DRIVEWAY TO STOP CLEAR OF HIGHWAY TRAFFIC LANES WHILE GATE IS BEING OPENED OR CLOSED.

DIAGRAM C INFORMATION

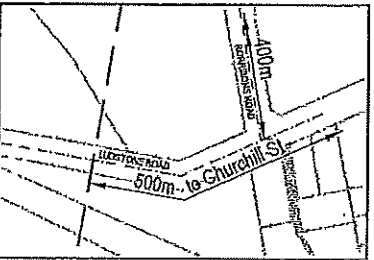
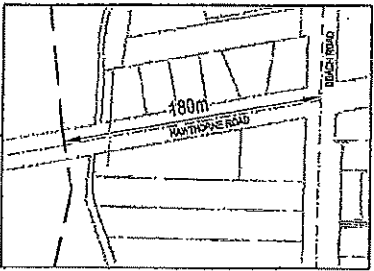
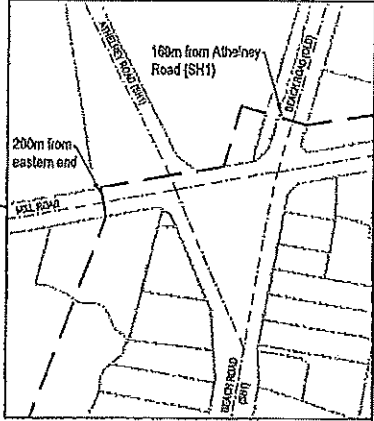
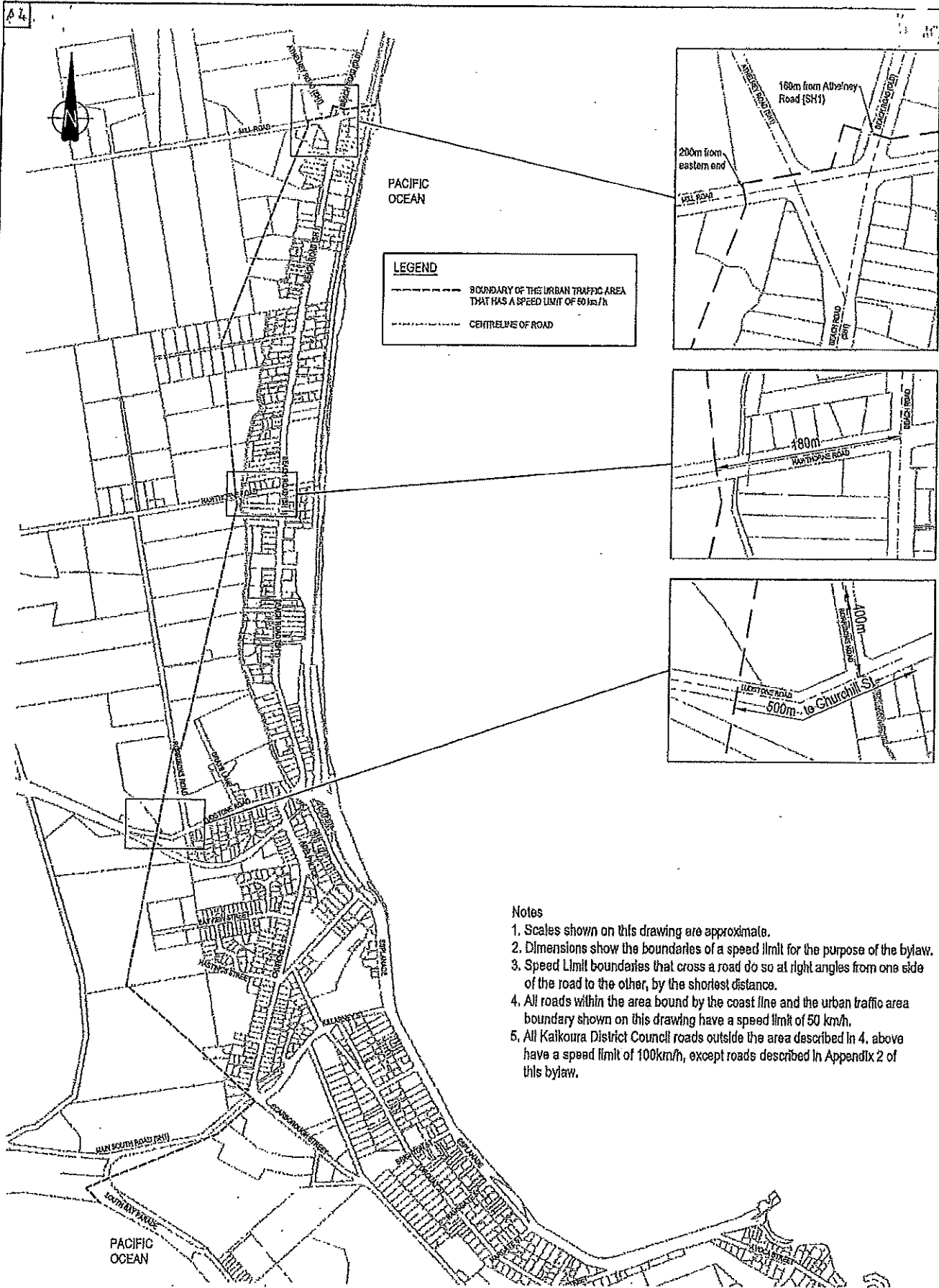
Project: **KAIKOURA DISTRICT COUNCIL**
 Drawing Title: **STANDARD RURAL ACCESS MODERATE USE VEHICLE ACCESS**

Project No. 17143
 Drawing No. 1



A person using Connell Wagner drawings and other data accepts the risks:
 1. using the drawings and other data without inspecting and checking them for accuracy against the original and any variation;
 2. using the drawings or other data for any purpose not agreed to in writing by Connell Wagner.

Rev. 0
 JRD
 BY
 DATE
 GATIN-330100A-WHIGS-AT143-10



LEGEND

--- BOUNDARY OF THE URBAN TRAFFIC AREA THAT HAS A SPEED LIMIT OF 50 km/h

--- CENTRELINES OF ROAD

- Notes**
1. Scales shown on this drawing are approximate.
 2. Dimensions show the boundaries of a speed limit for the purpose of the bylaw.
 3. Speed Limit boundaries that cross a road do so at right angles from one side of the road to the other, by the shortest distance.
 4. All roads within the area bound by the coast line and the urban traffic area boundary shown on this drawing have a speed limit of 50 km/h.
 5. All Kaikoura District Council roads outside the area described in 4. above have a speed limit of 100km/h, except roads described in Appendix 2 of this bylaw.

Connell Wagner

Connell Wagner Limited
 Level 4, Towers House 195 Hereford St.
 (P.O. Box 1061) Christchurch New Zealand

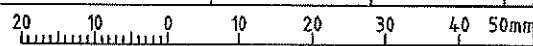
Telephone: +64 3 366 0821
 Facsimile: +64 3 378 6955
 Email: cwo@connellwagner.com

Project: **Kaikoura District Speed Limit Bylaw**

Drawing Title: **Kaikoura District 50km/hr Speed Limits**

No.	Date	Revision Details	By
Drawn	PJK	Date	10/11/04
Designed	-	Scale	1:20000 / 1:5000
Verified	HDF		
Approved	HDF		
CV Project No.		Drawing No.	Rev.
PROJECT No.		23593	

A person using Connell Wagner drawings and other data accepts the risk of:
 1. using the drawings and other data in electronic form without requesting and checking them for accuracy against the original hard copy version;
 2. using the drawings or other data for any purpose not agreed in writing by Connell Wagner.



© 2004 Connell Wagner Limited